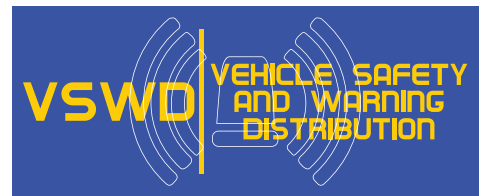
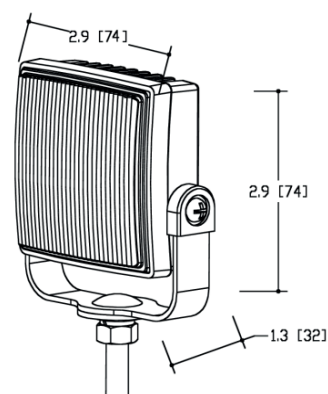


# VSWD-4H75 Strobe Series




R10

R65



Part Number	Description
VSWD-4H75-A	4 LED Amber

<b>Flash Patterns</b>	26 Patterns	<b>Approvals</b>	ECE R10, ECE R65
<b>Voltage</b>	9-30v	<b>IP Rating</b>	IP67
<b>LEDs</b>	4 LEDs	<b>Colours</b>	
<b>Mounting</b>	Bolt or Bracket	<b>Additional Features</b>	Sync Wire
<b>Dimensions</b>	See Above	<b>Box Qty</b>	30
<b>Housing Material</b>	Aluminium	<b>Lens Material</b>	Polycarbonate